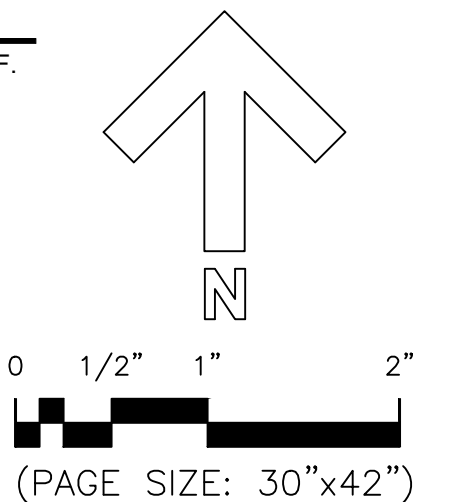


**1 FLOOR PLAN**  
1/4"=1'-0" SQUARE FOOTAGE - 3500 S.F.  
OCCUPANCY LOAD = 35



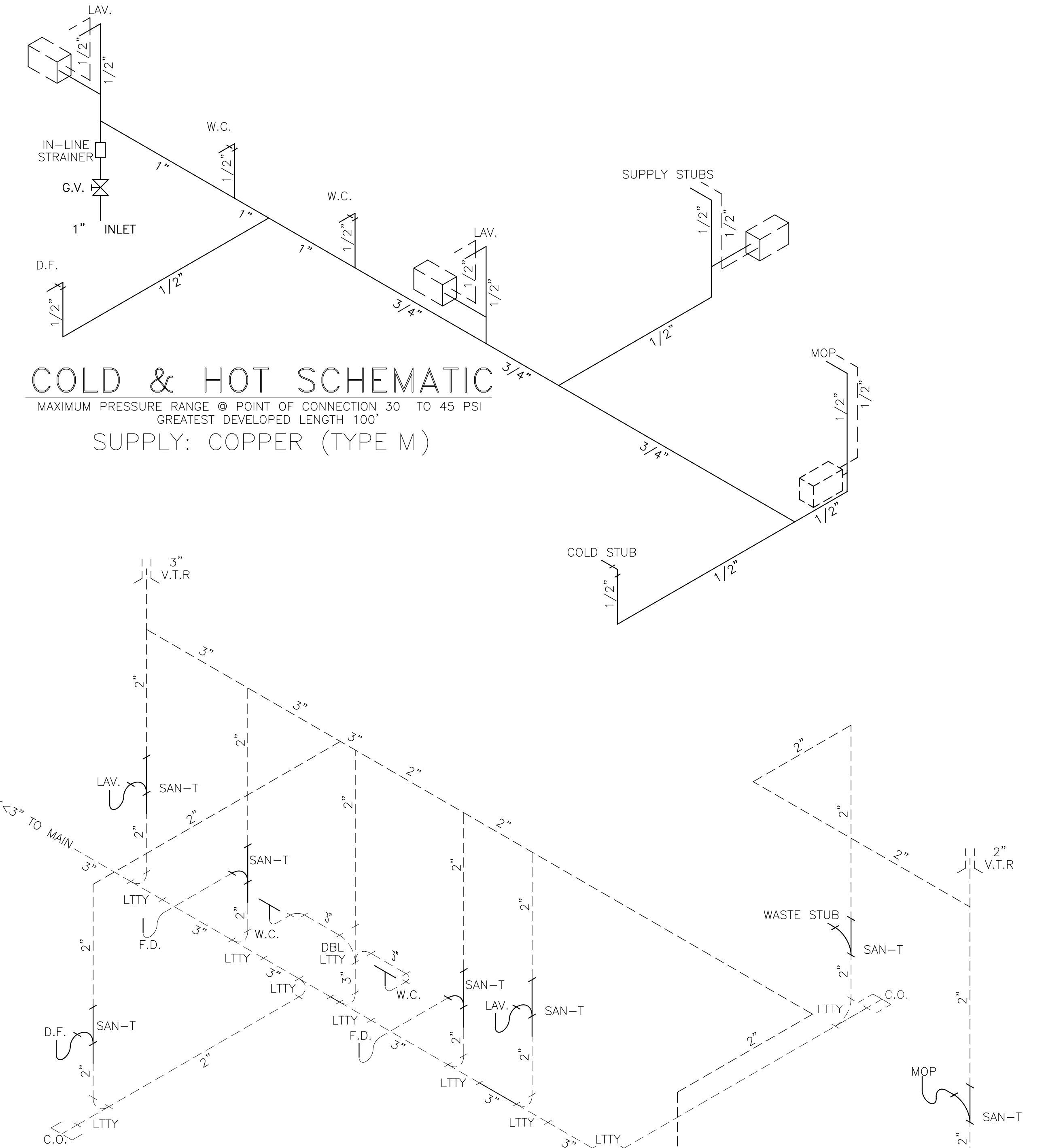
**HATCHING DENOTES:**  
FULL HEIGHT WALL w/ 3/8" SHEATHING TO ROOF DECKING (ONE SIDE ONLY), VCG TO CEILING LINE, RAW GYP. (BOTH SIDES) REMAINDER WAY TO RAFTERS. R-11 UNFACED INSULATION TO RAFTERS. (SEE PLAN FOR SPECIFIC SIDE OF WALL FOR SHEATHING APPLICATION).

STRUCTURAL LEGEND	
	SHEARWALL TAG (SEE STRUCTURAL PACKAGE FOR DESCRIPTION, SHEET S24)
	HOLD DOWN TAG (SEE STRUCTURAL PACKAGE FOR DESCRIPTION, SHEET S24)
	DIAPHRAGM CHORD TIE SIMPSON 'S22215' (SEE DETAIL 4/6, TYP 10)
	(3) 2x6 HF #2 POST ON EA. SIDE OF MOO-LINE w/ BLOCKING PROVIDED UNDER POST. (TYP. 10 LOCATIONS) (TYP. #3 HOLDOWN STRAP TOP & BOT.)
	(3) 2x4 HF #2 POST ON EA. SIDE OF MOO-LINE w/ BLOCKING PROVIDED UNDER POST. (TYP. 5 LOCATIONS) (TYP. #3 HOLDOWN STRAP TOP & BOT.)

WINDOWS:									
Qty	NO.	Type	Glazing	Size	Rough Opening	U-Factor	SHGC	Mini-Blind	Notes
5	A	ROUGH OPENING	NONE	3040	34" x 45 1/2"	N/A	N/A	NONE	12" X 34" LAMINATE COUNTERTOP w/ SQUARE EDGE (ALL SIDES) AS SILL, COLOR (1) HEADER @ 94" A.F.F.
1	B	ROUGH OPENING	NONE	3040	34" x 45 1/2"	N/A	N/A	NONE	12" X 34" LAMINATE COUNTERTOP w/ SQUARE EDGE (ALL SIDES) AS SILL, COLOR (1) HEADER @ 78" A.F.F.

DOORS:															
Qty	NO.	Type	Jamb	Wall Thickness	Glazing	Size	Rough Opening	U-Factor	Color	Closer	Deadbolt	Hardware	Fire Rating	Keying	Notes
1	01	DBL. STEEL DOORS, INSULATED 18 GA.	KD 16 GA BRONZE	6 5/8"	12 X 12 DUAL GLAZED (BOTH LEAVES)	6068	74" x 81"	0.70	INTERIOR (MATCH CALCUTTA COTTON) EXTERIOR (COUNTRY CREAM 40YY 72164)	HYDRAULIC (BOTH LEAVES)	NONE	PANIC (TELL GRADE 1) w/ KEYPED LEVER (TELL GRADE 1) SMALL FORMAT KEYWAY (BEST COMPATIBLE) REMOVABLE CORE. BOTH LEAVES. REMOVABLE MULLION	NONE	SEPARATE	DRIP CAP. (4) STD. & (2) NRP HINGES. MAGNETIC WEATHERSTRIPPING. THRESHOLD, DOOR SWEEP
1	02	COMMERCIAL STEEL, INSULATED 18 GA.	KD 16 GA BRONZE	6 5/8"	12 X 12 DUAL GLAZED	3068	38" x 81"	0.70	INTERIOR (MATCH CALCUTTA COTTON) EXTERIOR (COUNTRY CREAM 40YY 72164)	HYDRAULIC	NONE	PANIC (TELL GRADE 1) w/ KEYPED LEVER (TELL GRADE 1) SMALL FORMAT KEYWAY (BEST COMPATIBLE) REMOVABLE CORE	NONE	SEPARATE	DRIP CAP. (2) STD. & (1) NRP HINGES. MAGNETIC WEATHERSTRIPPING. THRESHOLD, DOOR SWEEP
1	03	PREFINISHED WOOD SOLID CORE	TIMELY METAL FRAME BROWN/TONE	4 7/8"	N/A	3068	37 1/2" x 81 1/4"	N/A	LEGACY OAK	N/A	NONE	PRIVACY LEVER, TELL GRADE 1	NONE	N/A	HINGES & WALL MOUNT STOPS
1	04	PREFINISHED WOOD SOLID CORE	TIMELY METAL FRAME BROWN/TONE	4 1/2"	N/A	3068	37 1/2" x 81 1/4"	N/A	LEGACY OAK	N/A	NONE	PASSAGE LEVER, TELL GRADE 1	NONE	N/A	HINGES & WALL MOUNT STOPS
1	05	PREFINISHED WOOD SOLID CORE	TIMELY METAL FRAME BROWN/TONE	4 7/8"	N/A	3068	37 1/2" x 81 1/4"	N/A	LEGACY OAK	HYDRAULIC	NONE	PASSAGE LEVER, TELL GRADE 1 (TO BE REPLACED WITH CIPHER LOCK ON SITE, BY OTHERS)	NONE	N/A	HINGES & WALL MOUNT STOPS
1	06	PREFINISHED WOOD SOLID CORE	TIMELY METAL FRAME BROWN/TONE	4 1/2"	N/A	3068	37 1/2" x 81 1/4"	N/A	LEGACY OAK	N/A	NONE	KEYED LEVER, TELL GRADE 1, SMALL FORMAT KEYWAY (BEST COMPATIBLE) REMOVABLE CORE	NONE	SEPARATE	HINGES & WALL MOUNT STOPS
1	07	PREFINISHED WOOD SOLID CORE	TIMELY METAL FRAME BROWN/TONE	4 1/2"	N/A	3068	37 1/2" x 81 1/4"	N/A	LEGACY OAK	N/A	NONE	PASSAGE LEVER, TELL GRADE 1	NONE	N/A	HINGES & WALL MOUNT STOPS
1	08	PREFINISHED WOOD SOLID CORE	TIMELY METAL FRAME BROWN/TONE	5 1/4"	N/A	3068	37 1/2" x 81 1/4"	N/A	LEGACY OAK	HYDRAULIC (U.L. LISTED)	NONE	PASSAGE LEVER, TELL GRADE 1	45 MINUTE	N/A	SMOKE SEAL, AUTOMATIC BOTTOM, B.B. HINGES & WALL MOUNT STOPS
1	09	PREFINISHED WOOD SOLID CORE	TIMELY METAL FRAME BROWN/TONE	5"	N/A	3068	37 1/2" x 81 1/4"	N/A	LEGACY OAK	N/A	NONE	PRIVACY LEVER, TELL GRADE 1	NONE	N/A	HINGES & WALL MOUNT STOPS
1	10	COMMERCIAL STEEL, INSULATED 18 GA.	KD 16 GA BRONZE	6 5/8"	NONE	3068	38" x 81"	0.70	INTERIOR (MATCH CALCUTTA COTTON) EXTERIOR (COUNTRY CREAM 40YY 72164)	HYDRAULIC	NONE	PANIC (TELL GRADE 1) w/ KEYPED LEVER (TELL GRADE 1) SMALL FORMAT KEYWAY (BEST COMPATIBLE) REMOVABLE CORE - NO LEVER ON EXTERIOR SIDE OF DOOR	NONE	SEPARATE	DRIP CAP. (2) STD. & (1) NRP HINGES. MAGNETIC WEATHERSTRIPPING. THRESHOLD, DOOR SWEEP

**COLD & HOT SCHEMATIC**  
MAXIMUM PRESSURE RANGE @ POINT OF CONNECTION 30 TO 45 PSI  
GREATEST DEVELOPED LENGTH 100'  
SUPPLY: COPPER (TYPE M)



**WASTE & VENT SCHEMATIC**

ALL PIPE TO BE ABS OR PVC SCHEDULE 40 AND WILL SLOPE 1/4" PER FOOT  
NOTE: PLUMBING MANIFOLD TO BE SUPPLIED AND INSTALLED ON SITE BY OTHERS.

LEGEND	
SYM	DESCRIPTION
	WASTE DRAIN (FACTORY INSTALLED)
	WASTE DRAIN (SUPPLIED & INSTALLED BY OTHERS)
	WASTE VENT (FACTORY INSTALLED)

**PLUMBING SCHEDULE**

SYMBOL	DESCRIPTION	QTY
	FLOOR MNT'D ELONGATED BOWL FOR THE HANDICAPPED W/ STANDARD TANK (FLUSH HANDLE TO BE ON THE OPEN SIDE OF RESTROOM) (MANSFIELD MODEL 137-3173) LOW FLOW (1.28GPF/4.8L) LOW WATER CONSUMPTION (VITREOUS CHINA)	2
	ONE SET GRAB BARS, INCLUDES: (1) 36" LONG & (1) 42" LONG, MOUNTED @ 34" A.F.F. (INCLUDE 18" LONG GRAB BAR) (WT INTERNATIONAL INC. 304 STAINLESS STEEL GRAB BARS)	2 SET(S)
	TOILET PAPER HOLDER (B-ROLLER) (MODEL B1606 POST COLOR C 789723-51930)	2
	WALL HUNG LAVATORY w/ 29" SPACE UNDERNEATH RIM FOR HANDICAPPED (AMERICAN STANDARD 0321.026) w/ STANDARD FAUCET (MATCO-NORCA CT-400SL) ADA COMPLIANT, LOW FLOW NSF SECTION 61-9 COMPLIANT, UPC APPROVED.	2
	24"x36" MIRROR w/ S.S. FRAME @ 38" A.F.F. (BRADLEY STANDARD MODEL 780-2436 BRADEX).	2
	LIQUID SOAP DISPENSER (TAYMOR 01-1050)	2
	FOLD TYPE PAPER TOWEL DISPENSER @ 40" A.F.F. (TAYMOR 01-1012)	2
	CHROMOMITE S-30 INSTANT WATER HEATER (OR EQUAL) (CHROMOMITE S30LMB120V) (S-30LMB NOTE: 1/2 GPM @ 49" TEMP. RISE)	4
	2" FLOOR DRAIN w/ TRAP GUARD. (NO BRAND SPECIFIED)	2
	TWO STATION WALL MOUNT WATER COOLERS MOUNTED @ 32" A.F.F. TO LOW ORIFICE AND 38" A.F.F. TO HIGH ORIFICE. (ELKAY SPECIFICATIONS MODEL EZSLBC)	1
	PROVIDE SUPPLY (HOT & COLD) & WASTE STUBS ONLY FIXTURES TO BE INSTALLED ON SITE BY OTHERS. (SEE DETAIL 2/TPF 2.0 FOR STUB INSTALL HEIGHTS)	1
	PROVIDE SUPPLY (COLD ONLY) & WASTE STUBS ONLY FIXTURES TO BE INSTALLED ON SITE BY OTHERS. (SEE DETAIL 2/TPF 2.0 FOR STUB INSTALL HEIGHTS)	1
	FLOOR MOUNT MOP SINK CHICAGO FAUCETS MECHANICAL FAUCET B97-MPRCF MANUAL SINK FAUCET (MUSTEE 24"x24"x10")	1

NOTE: PROVIDE: 1" IN-LINE STRAINER  
PROVIDE: (2) RESTROOM SIGNS (DOOR), CALIFORNIA NON-GENDERED

**2 TYPICAL PLUMBING STUBS**  
N.T.S.

